

PDA Occluder* Ordering information

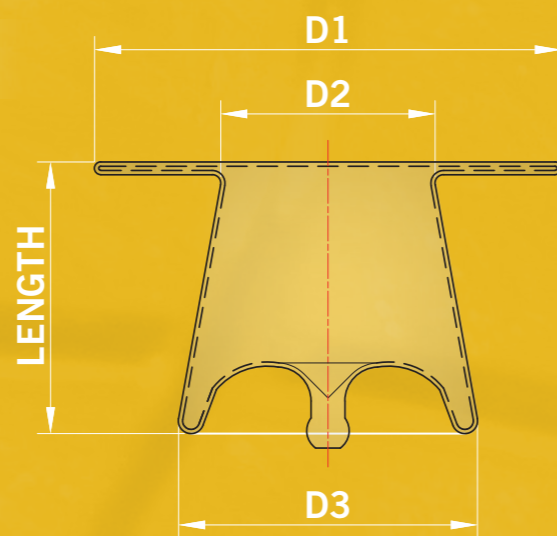
Occlutech PDA Occluder with Standard Shank*

PDA Occluder Article No.*	Product Name	Introducing system size (F)	Ø D2 (mm)	Ø D3 (mm)	Ø D1 (mm)	Length (mm)
42PDA05	PDA Standard Shank	6	3.5	5	9	4.25
42PDA06	PDA Standard Shank	6	4	6	10	5.00
42PDA07	PDA Standard Shank	6	5	7	11	6.05
42PDA08	PDA Standard Shank	6	6	8	13	6.30
42PDA10	PDA Standard Shank	7	8	10	16	7.00
42PDA12	PDA Standard Shank	7	10	12	18	12.00
42PDA15	PDA Standard Shank	8	12	15	20	14.00
42PDA18	PDA Standard Shank	9	14	18	24	16.00

Occlutech PDA Occluder with Long Shank*

PDA Occluder Article No.*	Product Name	Introducing system size (F)	Ø D2 (mm)	Ø D3 (mm)	Ø D1 (mm)	Length (mm)
43PDA05L	PDA Long Shank	6	3.5	5	9	7.00
43PDA06L	PDA Long Shank	6	4	6	10	7.50
43PDA07L	PDA Long Shank	6	5	7	11	8.50
43PDA08L	PDA Long Shank	6	6	8	13	9.00
43PDA10L	PDA Long Shank	7	8	10	16	10.50

* Availability subject to regulatory approval.
Product data may be subject to change.
Contact your Occlutech representative for information.



Perfecting Performance



PDA Occluder A Step Forward in PDA Occlusion



Customer Service International
Occlutech, La Cours Gata 2, S-252 31 Helsingborg, Sweden
Tel +46 (0)42 33 65 32, Fax +46 (0)42 311 09 70
order@occlutech.com, www.occlutech.com

Perfecting Performance

Vasculature

The PDA indication represents a multitude of geometric variances and morphological configurations ranging from small tunnel shaped ducts to large oval shunts. There is no single type of device suitable to treat all variances and clinicians continue to search for the ideal solution.

Listening to advice from the world's leading cardiac interventionalists has been paramount when designing the Occlutech PDA occlusion device.

Occlutech PDA device

In light of the large variety of vascular structures, Occlutech has created a highly flexible PDA Occluder capable of adapting to most morphologies and available in one of the widest range of configurations and sizes on the market.

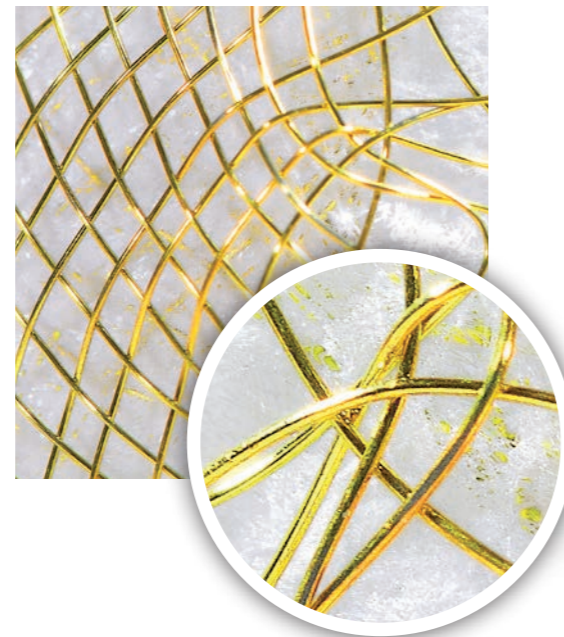
Not only does the Occlutech PDA occlusion device offer a wide range of diameters, it also offers a range of shank lengths to accommodate a wide variety of duct lengths.

The ultrathin PET-patches placed in the device ensure optimal closure of the defect as well as rapid endothelialization of the implant.

Occlutech braiding

Occlutech's unique proprietary braiding technology, allows the creation of a device that has no distal clamp, avoiding any protruding hub from the aortic disc. This design reduces the risk of trauma upon implantation and subsequent risk of thrombi forming in the aorta.

The unique Nitinol braiding configuration gives the device increased flexibility and superior adaptability allowing placement in a wide variety of clinical situations.



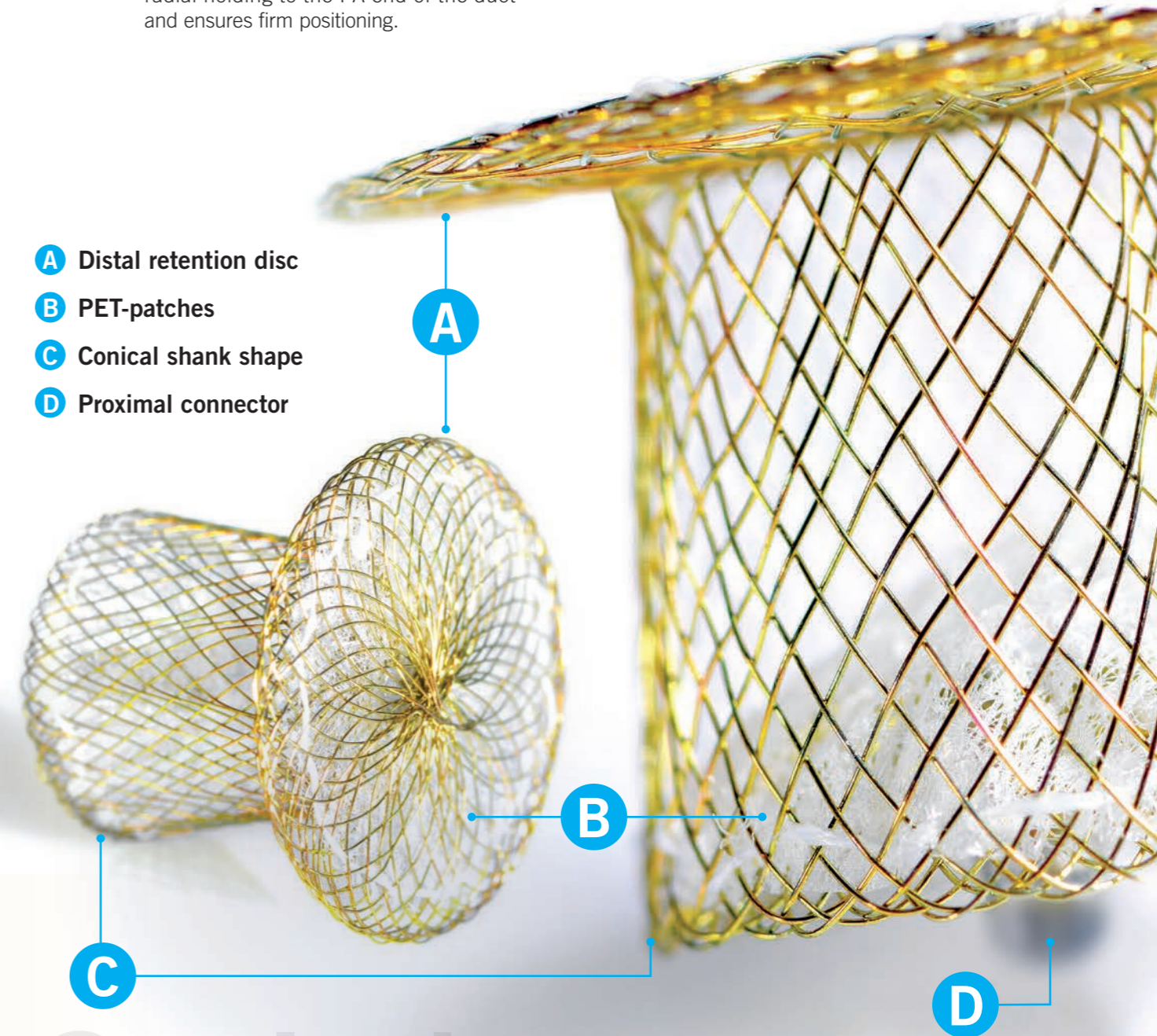
Unique Shank configuration

The shanks conical shape incorporates a wider PA segment which enables strong radial holding to the PA end of the duct and ensures firm positioning.

Aortic Disc

The wide protruding rim of the aortic disc ensures firm anchoring in the aortic annulus whilst retaining a low, none obtrusive profile to the aorta.

- A** Distal retention disc
- B** PET-patches
- C** Conical shank shape
- D** Proximal connector



Advantages of the Occlutech PDA device:

- Easy to use
- No distal protruding hub
- Low aortic profile
- Strong radial holding to the PA end of the duct
- Repositionable
- Wide range of lengths & diameters
- Flexibility and adaptability
- Unique titanium oxidelayer

PDA Occluder Perfecting Performance