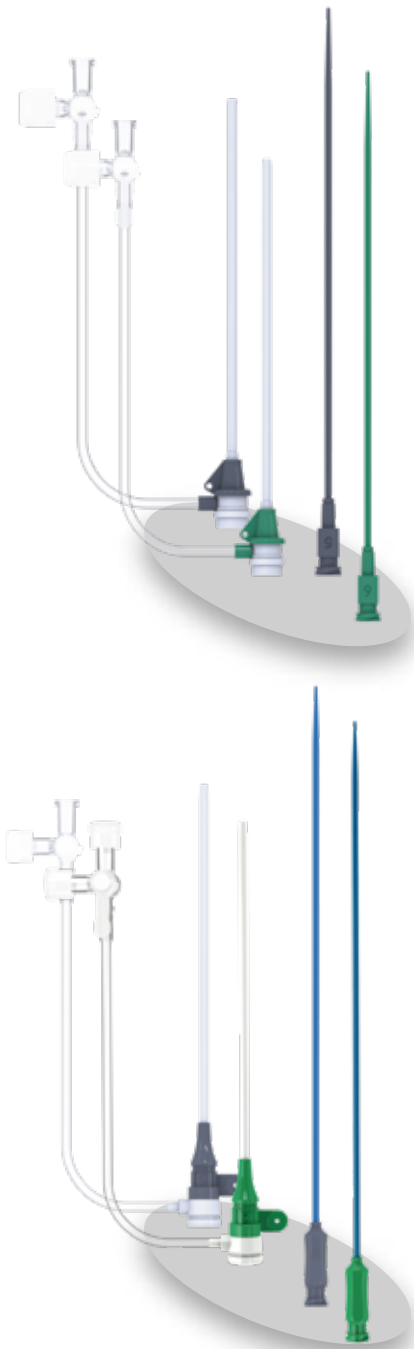


Introducer Set-Transradial

- ◆ Longer taper ensure smooth transition between sheath and dilator.
- ◆ Atraumatic tip reduce the damage to the artery.
- ◆ Cross-cut haemostasis valve minimizing blood reflux and air aspiration.
- ◆ Stainless steel guidewire, hydrophilic guidewire with cannula needle available.
- ◆ Hydrophilic coated sheath available.

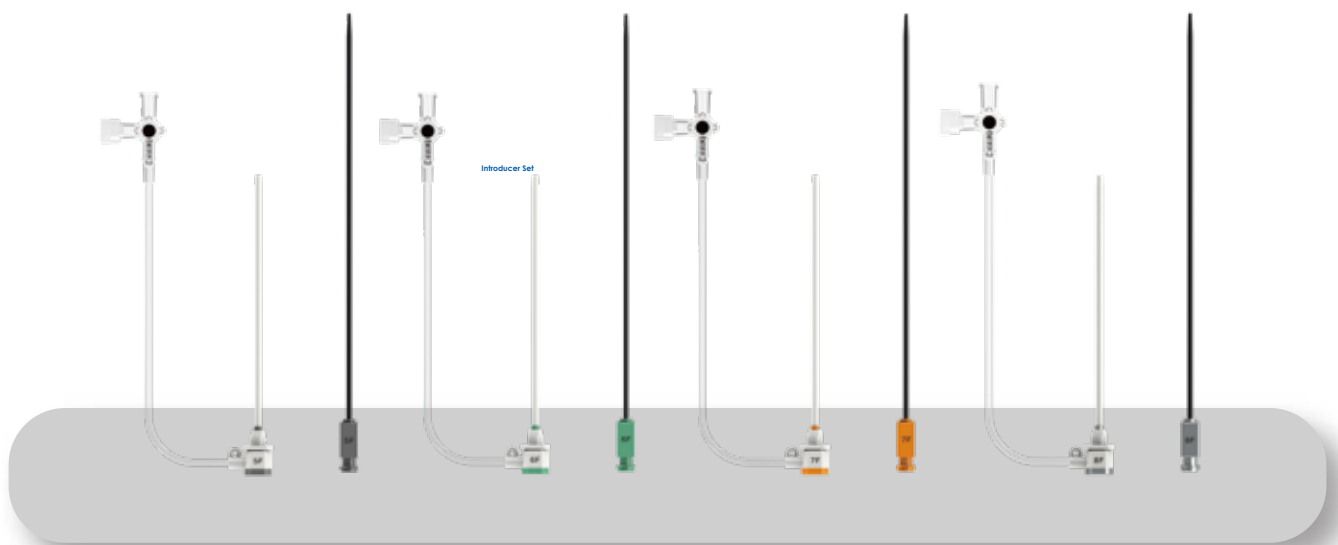


Ref.No.	Size	Length of Sheath	Guide wire	Needle	Hydrophilic coating
TR01	5Fr	110mm	0.021"	21G/ 40mm	NO
TR02	6Fr	110mm			
TR02A	6Fr	160mm			
TR03	5Fr	110mm	0.021"	21G/ 40mm	NO
TR03A	5Fr	160mm			
TR04	6Fr	110mm			
TR04A	6Fr	160mm			
HTR03	5Fr	110mm	0.025"	20G/ Cannula needle	NO
HTR03A	5Fr	160mm			
HTR04	6Fr	110mm			
HTR04A	6Fr	160mm			
CTR03	5Fr	110mm	0.021"	21G/ 40mm	YES
CTR03A	5Fr	160mm			
CTR04	6Fr	110mm			
CTR04A	6Fr	160mm			
CHTR03	5Fr	110mm	0.025"	20G/ Cannula needle	YES
CHTR03A	5Fr	160mm			
CHTR04	6Fr	110mm			
CHTR04A	6Fr	160mm			

Note: The 0.025 inch guidewire is coated with Hydrophilic.

Introducer Set-Femoral

- ◆ Different color and number make easy identity for different French size.
- ◆ Atraumatic tip reduce the damage to the artery.
- ◆ Cross-cut haemostasis valve minimizing blood reflux and air aspiration.
- ◆ 0.035" or 0.038" Stainless steel guidewire, Ni-Ti guidewire available.
- ◆ Hydrophilic coated sheath available.



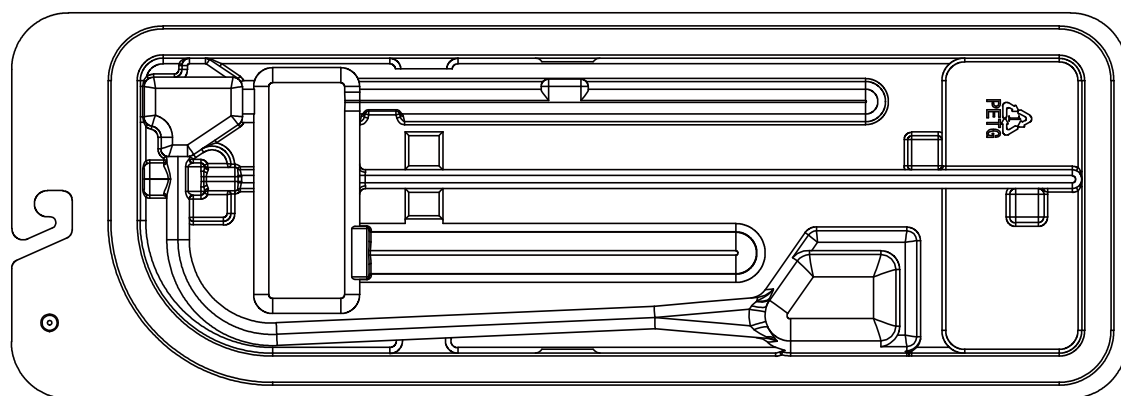
Ref.No.	Size	Length of Sheath	Guide wire	Needle	Hyrdophilic coating
IS01	5Fr	110mm	0.038"	18G/70mm	NO
IS02	6Fr	110mm			
IS03	7Fr	110mm			
IS04	8Fr	110mm			
CIS01	5Fr	110mm	0.035"	18G/70mm	NO
CIS02	6Fr	110mm			
CIS03	7Fr	110mm			
CIS04	8Fr	110mm			

Introducer Set

Ref.No.	Size	Length of Sheath	Guide wire	Needle	Hyrdophilic coating
HIS01	5Fr	110mm	0.038"	18G/70mm	YES
HIS02	6Fr	110mm			
HIS03	7Fr	110mm			
HIS04	8Fr	110mm			
CHIS01	5Fr	110mm	0.035"	18G/70mm	YES
CHIS02	6Fr	110mm			
CHIS03	7Fr	110mm			
CHIS04	8Fr	110mm			
IS01A	5Fr	110mm	0.021" NiTi Wire	21G/70mm	NO
IS02A	6Fr	110mm			
IS03A	7Fr	110mm			
IS04A	8Fr	110mm			
IS01B	5Fr	70mm	0.021" NiTi Wire	21G/70mm	NO
IS02B	6Fr	70mm			
IS03B	7Fr	70mm			
IS04B	8Fr	70mm			
IS01C	5Fr	50mm	0.021" NiTi Wire	21G/70mm	NO
IS02C	6Fr	50mm			
IS03C	7Fr	50mm			
IS04C	8Fr	50mm			

Introducer Set

Ref.No.	Size	Length of Sheath	Guide wire	Needle	Hyrdophilic coating
NIS01	5Fr	110mm	0.018" NiTi Wire	21G/70mm	NO
NIS02	6Fr	110mm			
NIS03	7Fr	110mm			
NIS04	8Fr	110mm			
NIS01A	5Fr	70mm	0.018" NiTi Wire	21G/70mm	NO
NIS02A	6Fr	70mm			
NIS03A	7Fr	70mm			
NIS04A	8Fr	70mm			
NIS01B	5Fr	50mm	0.018" NiTi Wire	21G/70mm	NO
NIS02B	6Fr	50mm			
NIS03B	7Fr	50mm			
NIS04B	8Fr	50mm			



Add

No.925 Jinyuan yi Road,
Shanghai, P.R.C.



TEL

021-59140046



FAX

021-69000013



P.C.

201803



WEB

www.kdl-int.com